

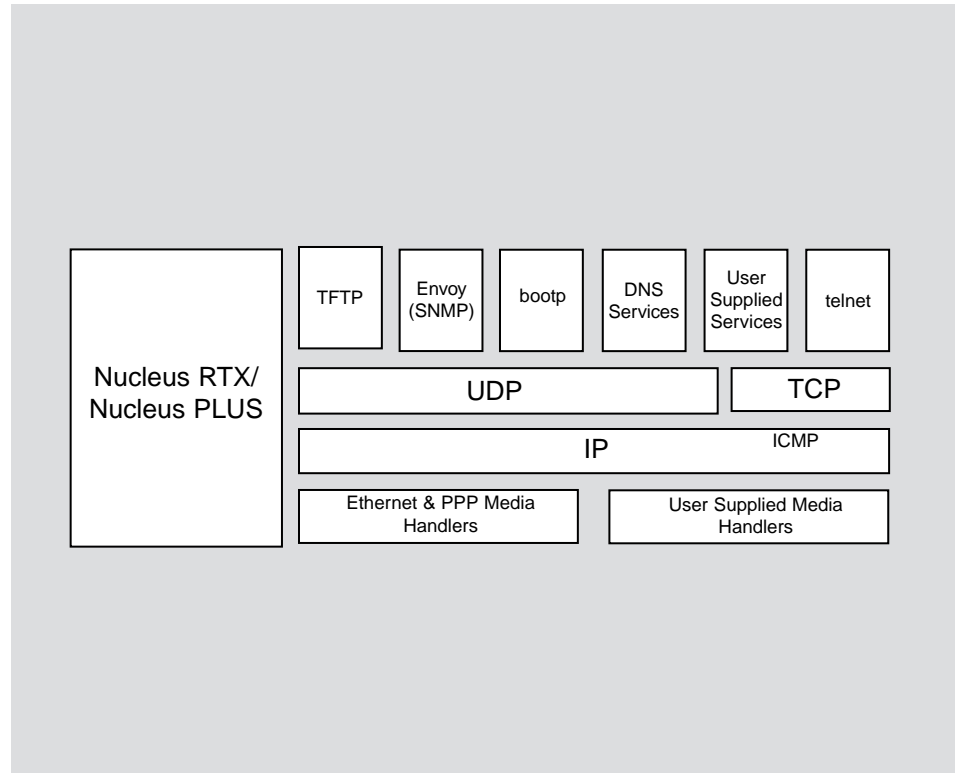
Nucleus Epilogue TCP/IP Protocol Stack



- For Use With Nucleus PLUS
- TCP/UDP/IP Protocols Supported
- Full Integration With Nucleus PLUS For Optimal Performance
- Well Engineered and Documented Source Code
- SNMP – Simple Networking Management Protocol
- TFTP – Trivial File Transfer Protocol
- BOOTP Protocol
- Telnet Client and Server
- Telephone Support
- BBS Support

Products:

- Attache – UDP/IP, ICMP, ARP, RARP, TFTP, DNS, BOOTP, and PPP Support
- Attache Plus – TCP and Telnet
- Envoy – Simple Network Management Protocol (SNMP) v1 and v2 (Manager and Agent Implementations)
- Emissary – Management Information Base (MIB) Compiler For Generating Target Specific SNMP Agent Databases



Epilogue Technology Corporation is the leading supplier of Internet Protocols and the Simple Network Management Protocol (SNMP). They have offered network management support software since the mid-1980s.

Accelerated Technology provides multi-tasking integration with the Epilogue product offering. This support is provided in two levels. Support includes: timer, memory, and semaphore management. Additionally, Accelerated Technology's socket-like interface has been integrated with the Epilogue stack to provide a fully capable multi-tasking interface.

As well as being delivered with complete source code and without royalties, Nucleus is provided with six months free technical support. This includes: phone, fax, BBS, e-mail and new releases. For more information, contact Accelerated Technology today.

HOST SYSTEMS SUPPORTED:
No Restrictions

PROCESSORS SUPPORTED:
i960® Kx, Sx, Cx, Jx Processors

AVAILABILITY:
Now

CONTACT:
Jamie Little
Vice President of Sales
Accelerated Technology, Inc.

P.O. Box 850245
Mobile, AL 36685
Phone: (334) 661-5770
(800) 468-NUKE

FAX: (334) 661-5788

BBS: (334)602-0463

For international contacts see Appendix B.

